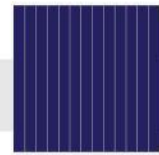


ZXP6-T72 Series

Znshinesolar **12BB** Polycrystalline PV module



72

Mono **Poly** Solutions

330W | 335W | 340W | 345W | 350W

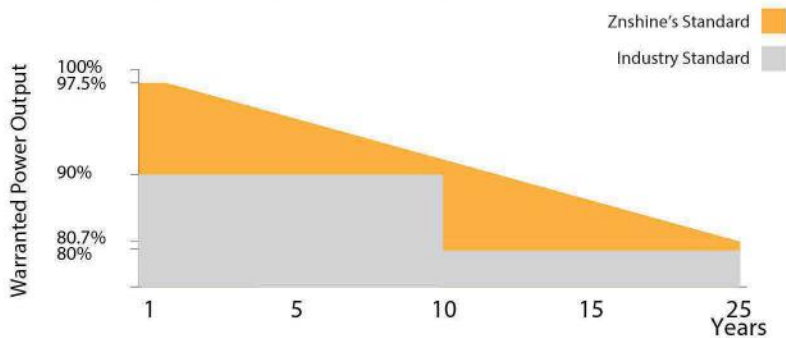
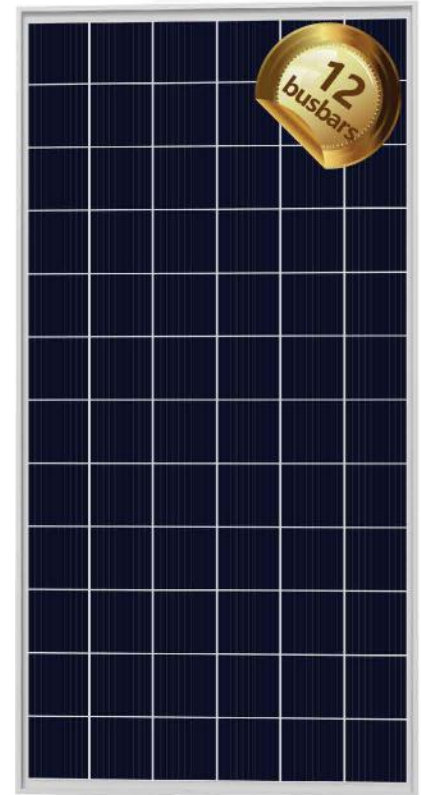
Made with selected materials and components to grant quality, duration, efficiency and through outputs, the 72-cell polycrystalline modules by ZNSHINE SOLAR represent a highly flexible solution for diverse installation types, from industrial rooftop plants to small home PV systems or large ground surfaces. This allows you to produce clean energy whilst reducing your energy bill.

ZNSHINE SOLAR' S 72-cell polycrystalline solar modules are tested and approved by international acknowledged laboratories, so that we can offer our customers a reliable and price-quality optimized product. The linear warranty on product outputs further ensures increased security and return on investments over time.

12 years product warranty for general application

15 years product warranty for Rooftop PV system

25 years output warranty/0.7% linear degradation p.a.



Innovative Solar Cells

12-busbar, dense busbars shorten the current conduction distances between bars and lower serial resistance



High Efficiency

High module efficiency up to 17.74%
Graphene coating can increase about 2W of the module efficiency by rising around 0.5% of the light transmission



Customerization

We can customize the graphene glass modules with self-cleaning function according to customer requirements
Graphene glass modules can increase light transmittance and increase component efficiency



Linear Warranty

25-year linear warranty on outputs



Certified to withstand the most challenging environmental conditions

2400 Pa snow load (with safety factor 1.5)
2400 Pa wind load (with safety factor 1.5)



ZNShine PV-Tech Co., LTD, founded in 1988, is a world-leading high-performance PV module manufacturer, PV power station developer, EPC and power station operator. With its state-of-the-art production lines, the company boasts module output of 3.2GW. Bloomberg has listed ZNShine as a global Tier 1 PV manufacturer and Top 10 reliable PV supplier.

www.znshinesolar.com

ELECTRICAL PROPERTIES | STC*

| Module Type | ZXP6 T60-330/P | ZXP6 T60-335/P | ZXP6 T60-340/P | ZXP6 T60-345/P | ZXP6 T60-350/P |
|--------------------------------|----------------|----------------|----------------|----------------|----------------|
| Nominal Power Watt Pmax(W) | 330 | 335 | 340 | 345 | 350 |
| Power Output Tolerance Pmax(%) | ±3 | ±3 | ±3 | ±3 | ±3 |
| Maximum Power Voltage Vmp(V) | 37.6 | 37.8 | 38.0 | 38.2 | 38.4 |
| Maximum Power Current Imp(A) | 8.78 | 8.87 | 8.95 | 9.04 | 9.12 |
| Open Circuit Voltage Voc(V) | 46.7 | 46.9 | 47.1 | 47.3 | 47.5 |
| Short Circuit Current Ioc(A) | 9.11 | 9.17 | 9.23 | 9.29 | 9.36 |
| Module Efficiency (%) | 16.97 | 17.23 | 17.49 | 17.74 | 18.04 |

*STC (Standard Test Condition): Irradiance 1000W/m², Module Temperature 25°C, AM 1.5
 *The data above is for reference only and the actual data is in accordance with the practical testing

ELECTRICAL PROPERTIES | NOCT*

| | | | | | |
|-------------------------------|-------|-------|-------|------|------|
| Maximum Power Pmax(Wp) | 246.1 | 250.2 | 254.4 | 259 | 263 |
| Maximum Power Voltage Vmpp(V) | 35.6 | 35.9 | 36.2 | 36.6 | 36.9 |
| Maximum Power Current Impp(A) | 6.92 | 6.96 | 7.02 | 7.07 | 7.13 |
| Open Circuit Voltage Voc(V) | 43.2 | 43.3 | 43.5 | 43.7 | 43.8 |
| Short Circuit Current Isc(A) | 7.37 | 7.42 | 7.47 | 7.52 | 7.57 |

*NOCT(Nominal Operating Cell Temperature):Irradiance 800W/m², Ambient Temperature 20°C, AM 1.5, Wind Speed 1m/s
 *The data above is for reference only and the actual data is in accordance with the practical testing

TEMPERATURE RATINGS

| | |
|---------------------------------|-----------|
| NOTC | 44°C ±2°C |
| Temperature coefficient of Pmax | -0.40%/K |
| Temperature coefficient of Voc | -0.31%/K |
| Temperature coefficient of Isc | 0.06%/K |

*Do not connect Fuse in Combiner Box with two or more strings in parallel connection

WORKING CONDITIONS

| | |
|-------------------------|------------------------------------|
| Maximum system voltage | 1500 V DC |
| Operating temperature | -40°C ~ +85°C |
| Maximum series fuse | 15 A |
| Maximum load(snow/wind) | 2400/2400 (with safety factor 1.5) |

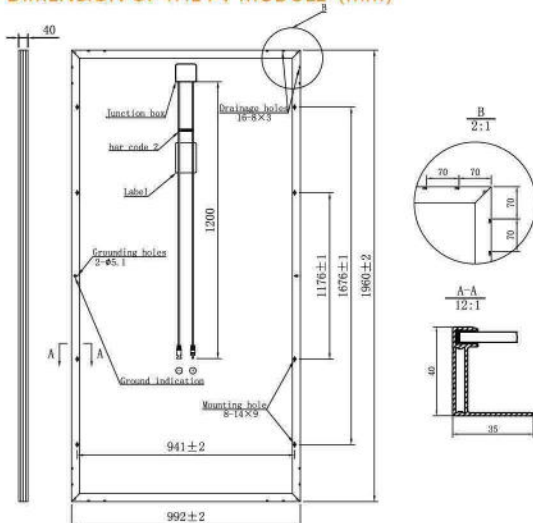
MECHANICAL DATA

| | |
|-------------------|---|
| Solar cells | 12BB Poly 156.75×156.75 mm |
| Cells orientation | 72 (6×12) |
| Module dimension | 1960×992×40 mm |
| Weight | 22.5 kg |
| Glass | High transparency, low iron, tempered 3.2mm Coated glass |
| Junction box | IP 68, 3 diodes |
| Cables | H1Z2Z2-K 1×4,0mm ² |
| Connectors | LJQ-1 |
| | manufactured in China |

PACKAGING INFORMATION

| | |
|-----------------|-----------|
| Packing Type | 40' HQ |
| Piece/Box | 27 |
| Piece/Container | 648 / 696 |

DIMENSION OF THE PV MODULE (mm)



I-V CURVES OF THE PV MODULE

